

OnSpec xSil 257 Hi-Speed USB Flash Media Reader Controller Chip Quick Data Sheet

The xSil 257 is designed to be a high performance controller for reading the new higher speed Flash media to USB interface. It has the following features:

- 48-pin 7mm x 7mm QFP package
- Single chip with integrated USB 2.0 PHY
- Serial EEPROM port
- Serial port
- Two General Purpose Timers
- Watchdog Timer
- 16 bit Processor
- Programmable Read and Write widths
- Optimum hardware controlled transfer for speed and scalability
- Support for faster SD-HS compliant media with sustained transfer speeds exceeding 20MB/sec for both Reads and Writes.
- Support for faster MS PRO media with sustained transfer speeds of up to 18MB/sec for both Reads and Writes.
- Support for faster MMC cards that have 4-bit and 8-bit buses with sustained transfer speeds of up to 20MB/sec for both Reads and Writes. Speed limited by media transfer speed. Maximum theoretical speed for MMC 8-bit media is 52MB/sec.
- Supports CE-ATA
- Support for SD V2.0 spec media, enhancing the access space up to 32GBytes.

Device Interfaces

- MultiMediaCard/ MMC 4.0 1/ 4/ 8 bit Data bus support
- Secure Digital Card/ Secure Digital HS/ Secure Digital V2.0 cards
- Memory Stick / Memory Stick PRO / Memory Stick HS / MS Duo

Host Interfaces

- USB 2.0 Hi-Speed
- USB 1.1

OnSpec

Patents:

This product is covered by one or more of the following patents:
US Pat. 5784584, 5809336, 5841424, 6438638, 6598148, 6832281, 6859361, 6859369
Taiwan Pat. I 222564
China Pat. CN 018152163
S. Korea Pat. KR 476817
Other Foreign & US Patents Pending

Disclaimer:

Information in this document is provided in connection with OnSpec Electronic products. No license, express or implied, by estoppel or otherwise, to any intellectual property rights is granted by this document. Except as provided in OnSpec Electronic's Terms and Conditions of Sale for such products, OnSpec Electronic assumes no liability whatsoever, and OnSpec Electronic disclaims any express or implied warranty, relating to sale and/or use of OnSpec Electronic products including liability or warranties relating to fitness for a particular purpose, merchantability, or infringement or any patent, copyright or other intellectual property right.

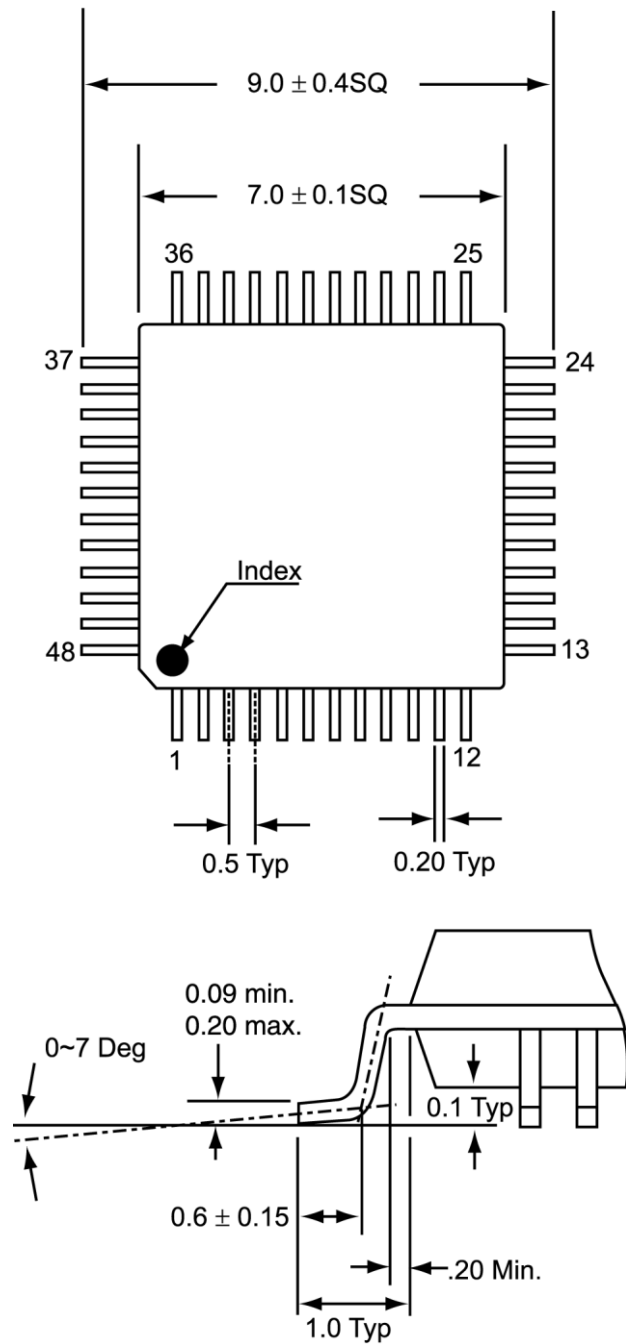
OnSpec Electronic products are not intended for use in medical, life saving, or life sustaining applications.

Trademarks:

OnSpecLink Is a registered trademark of OnSpec Electronic, Inc.
All trademarks are the properties of their respective owners

OnSpec

Mechanical Dimensions



Note: All Dimensions in mm