

## **xSil 258B Hi-Speed USB Flash Media Reader Controller Chip Brief Data Sheet**

The xSil 258B is designed to be a high performance controller for reading the new higher speed Flash media to USB interface. It has the following features:

- 100-pin 16mm x 16mm QFP package
- Single chip with integrated USB 2.0 PHY
- Serial EEPROM port
- Supports up to 25 types of media. (Application notes available.)
- IDE/ ATAPI/ MMC™/ SD™/ Memory Stick™ / SmartMedia™/ xD™/ CF™ interface
- Supports for High Speed operation of MMC/SD, Memory Stick and SmartMedia Cards
- Support for MS PRO™, HS (4-bit mode)
- Supports SmartMedia ROM, Memory Stick ROM media
- Supports for xD media, up to 2GB.
- Supports for xD M series & H series media
- Supports On-board NAND as a storage device
- Firmware enhancements can be stored on On-board NAND when populated
- Serial port
- Two General Purpose Timers
- Watchdog Timer
- 16 bit Processor
- Internal RAM for supporting enhancements
- ROM with BIOS and Application code.
- Programmable Read and Write widths
- Optimum hardware controlled transfer for speed and scalability

### **Device Interfaces**

- CompactFlash
- MultiMediaCard/ MMC 4.0 1/ 4/ 8 bit Data bus support
- Secure Digital Card/ Secure Digital HS/ Secure Digital V2.0 cards
- Memory Stick / Memory Stick PRO / Memory Stick HS / MS Duo
- SmartMedia
- NAND 8-bit
- NAND 16-bit
- NAND MLC
- AG-AND
- xD Card

### **Host Interfaces**

- USB 2.0 Hi-Speed
- USB 1.1

**Patents:**

This product is covered by one or more of the following patents:

US Pat. 5784584, 5809336, 5841424, 6438638, 6598148, 6832281, 6859361, 6859369

Taiwan Pat. I 222564

China Pat. CN 018152163

S. Korea Pat. KR 476817

Other Foreign & US Patents Pending

**Disclaimer:**

Information in this document is provided in connection with OnSpec Electronic products. No license, express or implied, by estoppels or otherwise, to any intellectual property rights is granted by this document. Except as provided in OnSpec Electronic's Terms and Conditions of Sale for such products, OnSpec Electronic assumes no liability whatsoever, and OnSpec Electronic disclaims any express or implied warranty, relating to sale and/or use of OnSpec Electronic products including liability or warranties relating to fitness for a particular purpose, merchantability, or infringement or any patent, copyright or other intellectual property right.

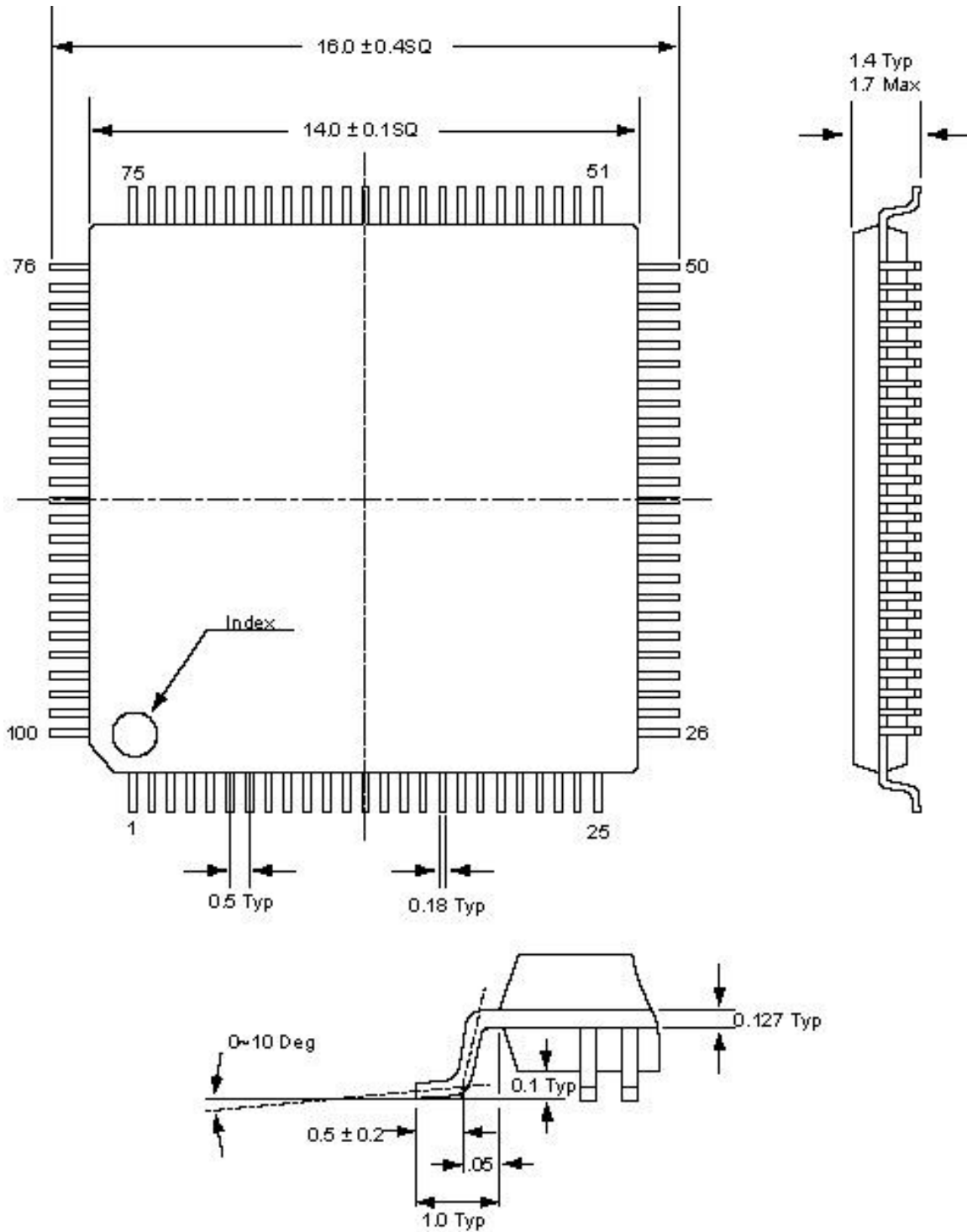
OnSpec Electronic products are not intended for use in medical, life saving, or life sustaining applications.

**Trademarks:**

OnSpecLink Is a registered trademark of OnSpec Electronic, Inc.

All trademarks are the properties of their respective owners

### Mechanical Dimensions (Preliminary)



All dimensions are in mm.